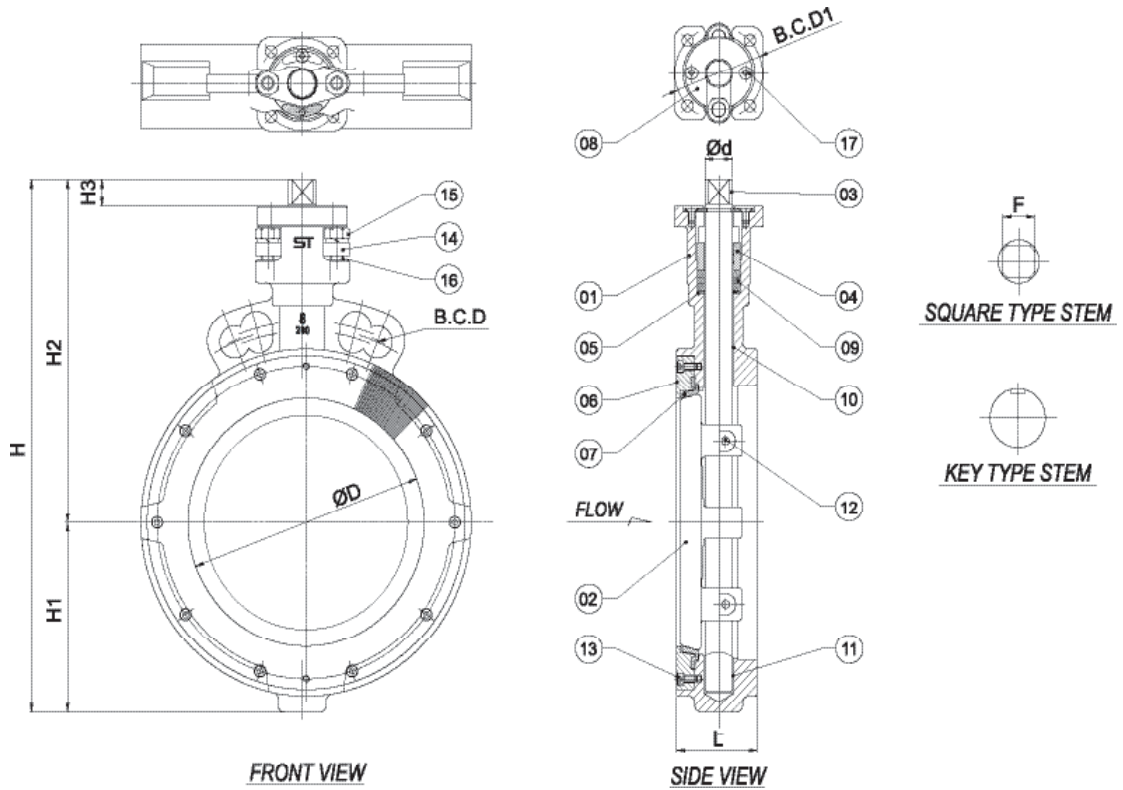


Model : HPW Wafer Type, Class 150



Dimension

(unit:mm)

Size (mm)	H	H1	H2	H3	OD	F	OD	B.C D 1	L
50	219.2	60.0	159.2	15.2	13	11	42.0	70	44.0
65	242.2	70.0	172.2	15.2	16	14	61.0	70	46.0
80	250.2	76.5	173.7	15.2	16	14	74.0	70	48.0
100	281.2	90.0	191.2	17.7	16	14	94.0	70	54.0
125	318.7	104.0	214.7	17.7	18	14	118.0	70	57.0
1560	346.0	115.0	231.0	19.0	22	17	140.0	70	58.0
200	404.0	143.5	260.5	20.5	22	17	188.0	70	64.0
250	468.5	170.0	298.5	20.5	28	22	238.5	102	71.5
300	524.1	197	327.1	24.1	28	22	280.0	102	81.0

(unit:inch)

Size (inch)	H	H1	H2	H3	OD	F	OD	B.C D 1	L
2"	8.63	2.36	6.27	0.60	0.51	0.43	1.65	2.76	1.73
2.5"	9.54	2.75	6.78	0.60	0.63	0.55	2.40	2.76	1.81
3"	9.85	3.01	6.84	0.60	0.63	0.55	2.91	2.76	1.89
4"	11.07	3.54	7.53	0.70	0.63	0.55	3.70	2.76	2.13
5"	12.55	4.09	8.45	0.70	0.71	0.55	4.65	2.76	2.24
6"	13.62	4.53	9.09	0.75	0.87	0.67	5.51	2.76	2.28
8"	15.91	5.65	10.26	0.81	0.87	0.67	7.40	2.76	2.52
10"	18.44	6.69	11.75	0.81	1.10	0.87	9.39	4.02	2.81
12"	20.63	7.76	12.88	0.95	1.10	0.87	11.02	4.02	3.19